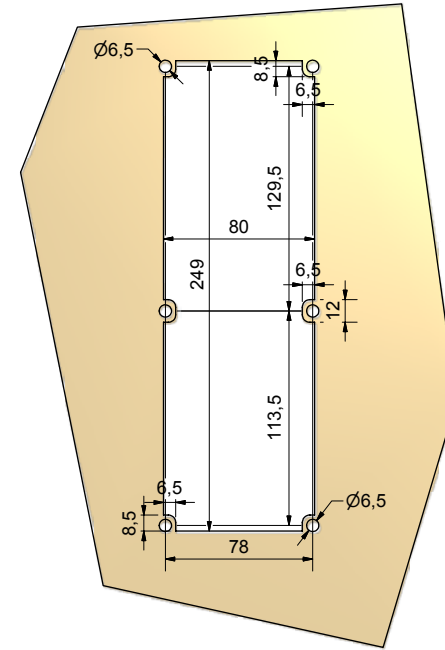
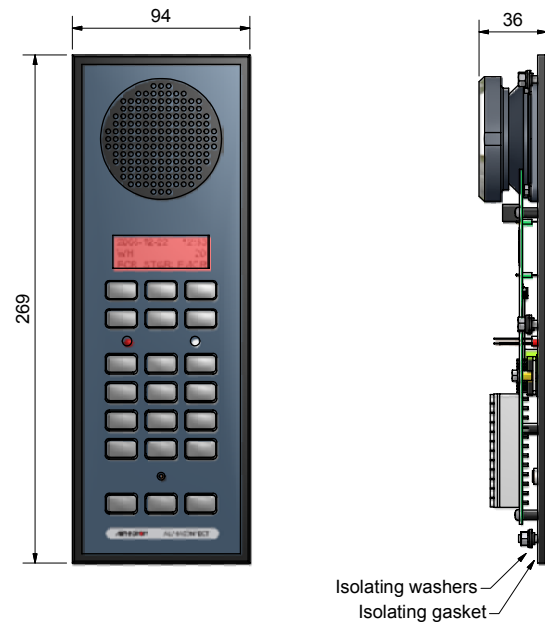
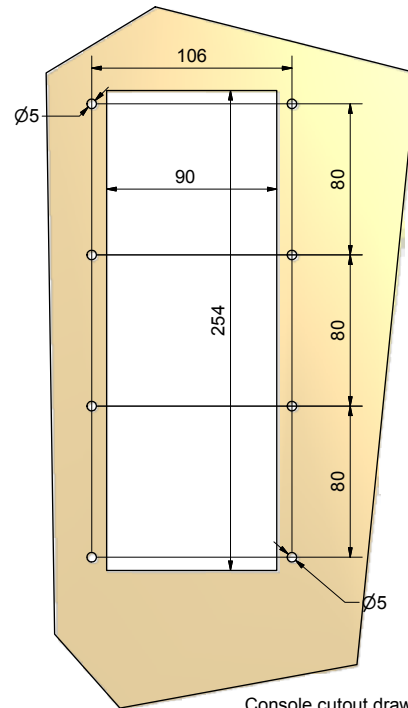
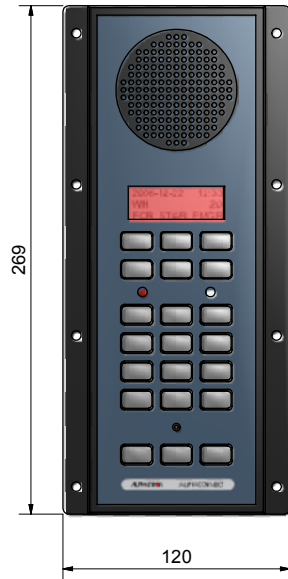


Mounting without mounting plate



Console cutout drawing

Mounting with mounting plate
(20-103-0060)



Console cutout drawing

Both mounting styles will ensure isolation between ship hull and the aluminium frame of the communication station. Cable shields are to be terminated at the PE terminal of the station.

Units: mm	General tolerances: DS/ISO 2768	Projection method:	Drawing size: A2
P411 - SC411 outline and mounting		Designed by: Carl Johan Jensen	19-05-2009
		Approved by:	
		Scale:	SeaCom
			Rev. 2
DWG090618CJ15_02			